

Technical Meeting
(PDH Credit Offered)

Topic: A GAS TURBINE PRIMER

Speaker: Mr. Holger Lukas

Date: Thursday March 26, 2009

Time: 5:30 – 6:30 PM (Registration and Social Hour)
6:30 – 7:15 PM (Dinner)
7:15 – 8:30 PM (Presentation and Q/A)

Place: Italian American Community Center
257 Washington Ave Extension, Albany NY
12205 (518) 456-0292

RSVP by Monday (Noon) March 23, 2009

Contact:

Holger Lukas (lukash@asme.org) or (518) 346-9649

E-mail contact is preferred.

Abstract:

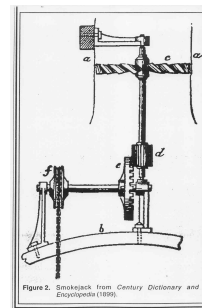
A subtitle to this presentation could be “Everything you always wanted to know about gas turbines but were to afraid to ask.”

This presentation covers the gas turbine, its cycle and where it fits in the realm of the other power cycles. It will cover the history of the gas turbine from its early inception, where it shared many similarities with the steam turbine, to the present. The talk will reveal the breadth of the application of gas turbines as well as some possible surprises. The gas turbine is rich in tradition and versatility. This presentation will reveal that some of the “firsts” may not be the “firsts”.

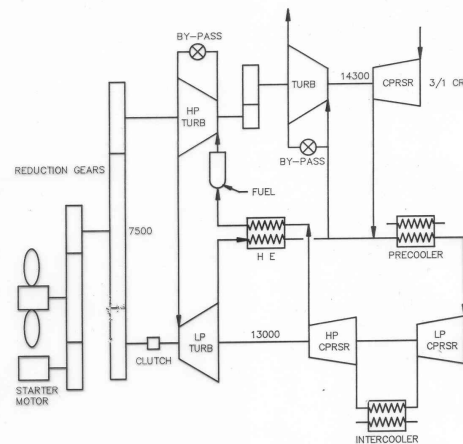
The presentation will talk about conventional applications as well as some odd applications. These questions and many others will be answered during the presentation. As a bonus to the content presented during this talk, this presentation entitles the attendee toward one hour of **Professional**

Development (PDH) credit to satisfy the requirements for the Professional Engineers license renewal.

A signup/attendance list for the PDH credits will be available at the meeting. This list will be forwarded to PIE for registration. A Course Completion Certificate will be presented at the end of the meeting



What is this? Is it a Gas Turbine?



Top Secret Naval Application: What was its intention?
Where was it to be used?

Speaker:

Holger Lukas has been involved with gas turbines for nearly 40 years. He has worked for manufacturers of both Aeroderivative and industrial (heavy duty) gas turbines. He has experience in the field, as a startup and commissioning engineer, as well as in the office where he was responsible for the design and specification of gas turbine auxiliary systems. He spent twenty years working for a consulting

**THE AMERICAN SOCIETY OF MECHANICAL ENGINEERS
HUDSON MOHAWK SECTION
PO BOX 206
Schenectady, NY 12301**

engineering firm where he was involved in the selection, application, and use of gas turbines. He is the author or co-author of several Electric Power Research Institute (EPRI) reports dealing with gas turbines as well as the author of several ASME and AIAA papers.

For the last ten years, Holger Lukas has devoted his time as a consultant to the insurance industry and to owners with resolving problems with gas turbines. His insurance work primarily involves root cause analysis and failure investigations, scope of damage, and remediation.

In addition to the time he devotes to local Hudson-Mohawk section activities Holger Lukas has been active on the national and international level with the International Gas Turbine Institute (IGTI) of ASME. He is serving on several technical committees and served six years on the IGTI Board of Directors including its Chair in 1995-1996.

Dinner:

This event is a seated dinner, with appetizer, salad, entrée, and desert. Drinks can be purchased from the bar. Dinner choices include:

- Baked Scrod and Herbs
- Chicken Marsala
- Vegetarian

Cost:

\$25 – Members
\$35 – Members desiring PDH credit
\$30 – Non-Members
\$40 – Non-Members desiring PDH credit
\$15 – Full-time Students (with current College ID)
Lecture Only (No Dinner or PDH credit) – Free

Reservations:

To reserve your seat, please contact Holger Lukas (lukash@asme.org) (518) 346-9649 by noon Monday - March 23. Please specify entree choice. E-mail contact is preferred.

If you are attending the lecture only, please respond anyway so we can arrange for adequate seating.

Letter from the Chair

This month's meeting is the first time the Hudson-Mohawk Section (H-M) has offered PDH credit for one of our meetings. I want to take this opportunity to thank Holger Lucas for making the effort to get his presentation accredited by the Practicing Institute of Engineering (PIE), making this meeting eligible for one hour of Professional Development (PDH) credit.

The H-M Executive Committee believes this PDH credit is a service that many of our members will find valuable. I hope those in our section who have PE licenses will take advantage of this opportunity.

Best Regards,

David Smith

Chairman - Hudson-Mohawk Section
American Society of Mechanical Engineers
Daytime Phone (518) 385-1234
smithd2@asme.org

Distribution of Section Newsletter

The Hudson Mohawk newsletter is posted at:
<http://sections.asme.org/hudson-mohawk/>

Once each newsletter is posted on the Section's web page, an e-mail notification and link to the above website is sent to members who have e-mail addresses in the ASME member database. If you are an active member of ASME and did not receive an e-mail notification, please go to the ASME web site and update your membership information. Additionally, please make you're your e-mail service does not block e-mail sent from ASME.

<http://members.asme.org/myasme/login/myasme.cfm>